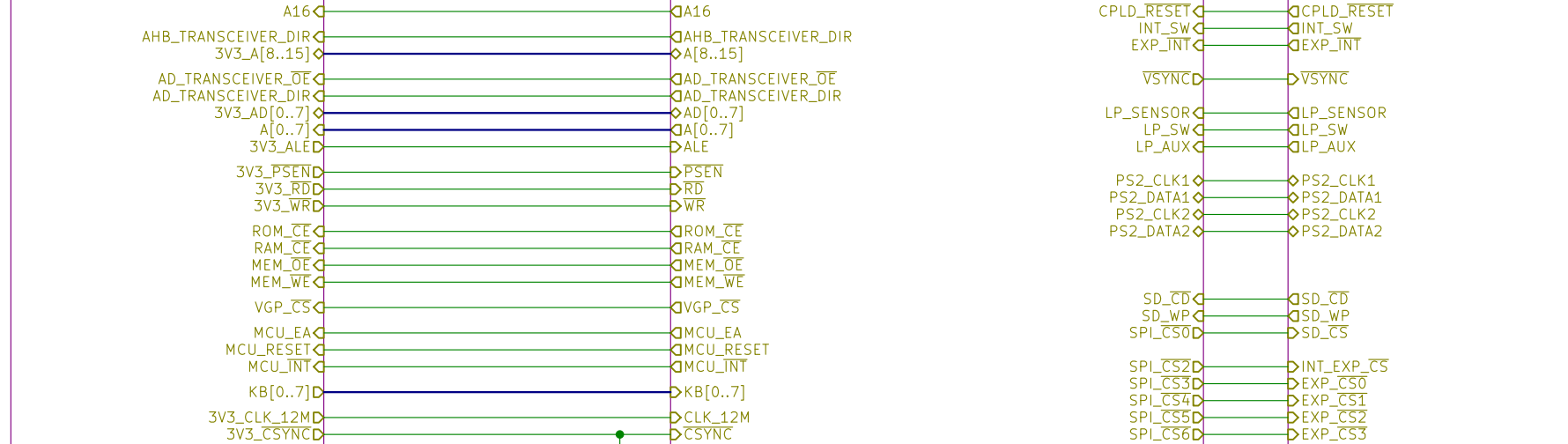


Motherboard_connector,MCU_interface,Memory,Voltage_translation

CPLD,JTAG,Power,Buzzer

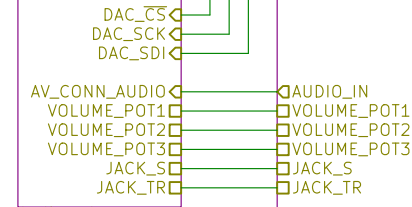
Peripherals,Controls



Motherboard_connector,MCU_interface,Memory,Voltage_translation.sch

CPLD,JTAG,Power,Buzzer.sch

Audio



Audio.sch

Peripherals,Controls.sch

SCART



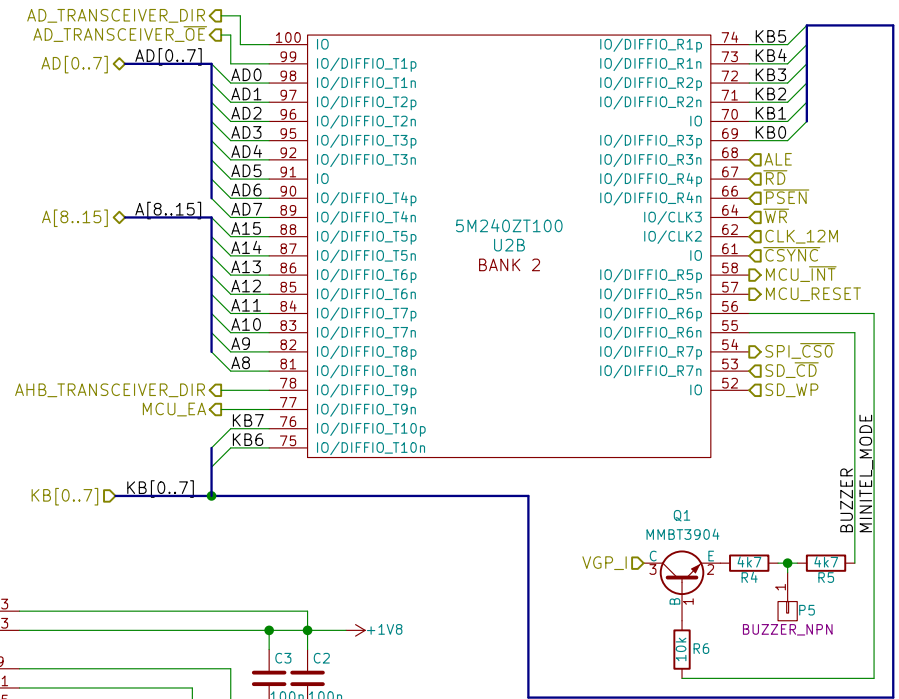
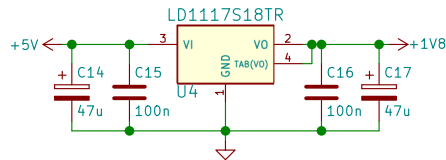
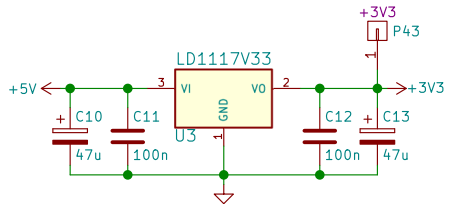
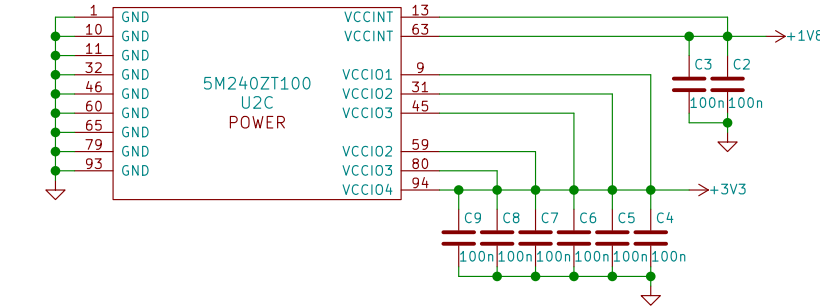
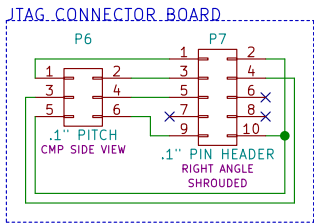
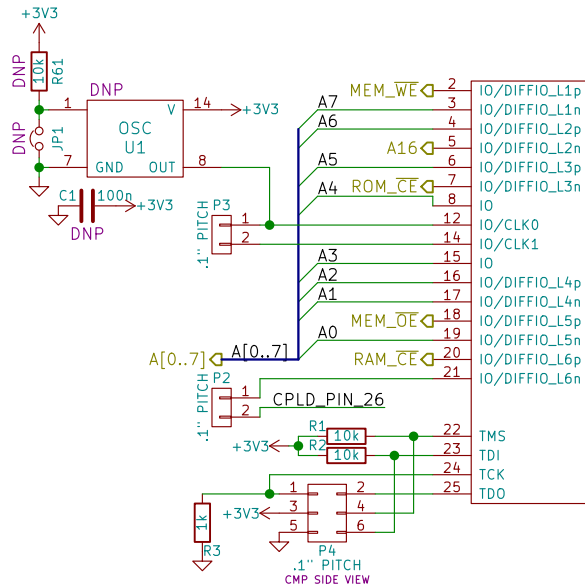
SCART.sch

All rights reserved.
<https://mieboc.codeberg.page> <mieboc@proton.me>

Sheet: /
 File: M5.sch

Title: M5

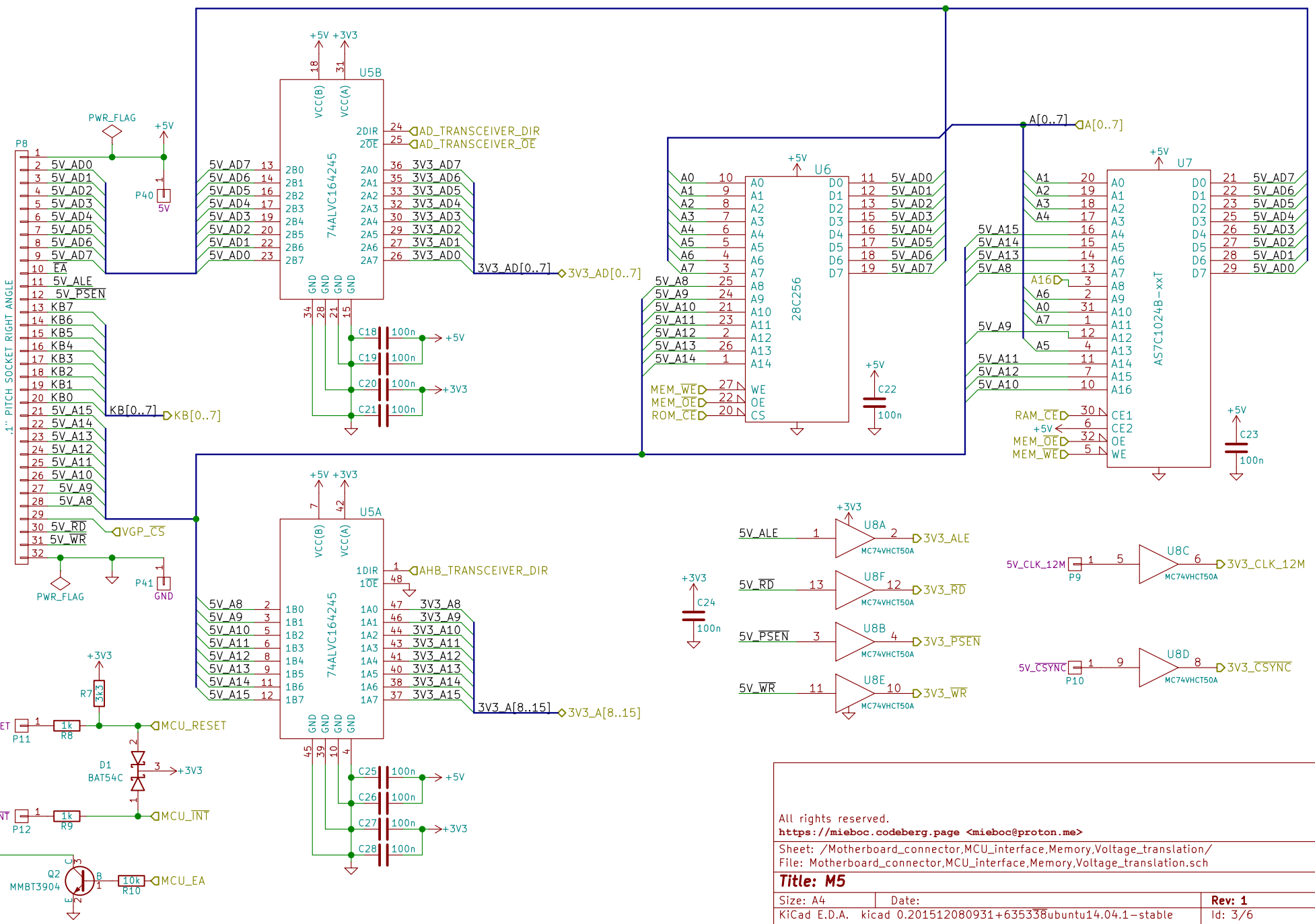
Size: A4	Date:	Rev: 1
KiCad E.D.A. kicad 0.201512080931+635338ubuntu14.04.1-stable		Id: 1/6



All rights reserved.
<https://mieboc.codeberg.page> <mieboc@proton.me>
 Sheet: /CPLD,JTAG,Power,Buzzer/
 File: CPLD,JTAG,Power,Buzzer.sch

Title: M5

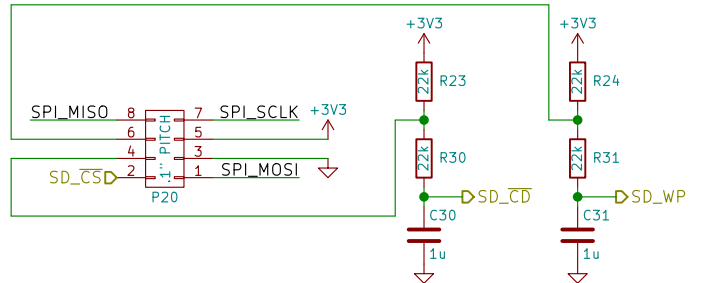
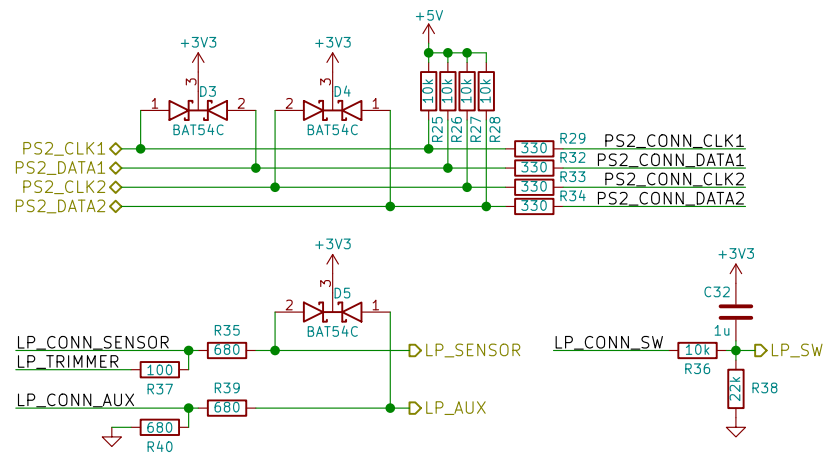
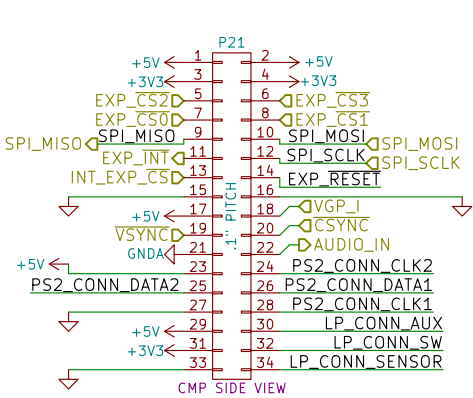
Size: A4	Date:	Rev: 1
KiCad E.D.A. kicad 0.201512080931+635338ubuntu14.04.1-stable		Id: 2/6



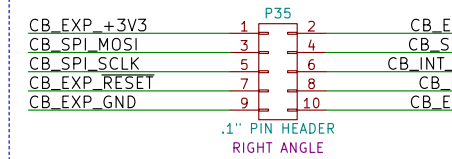
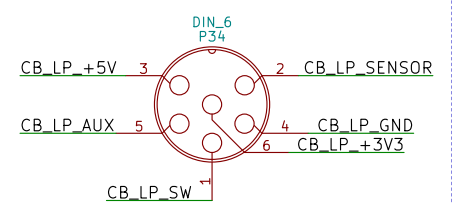
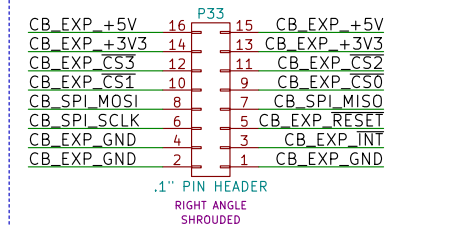
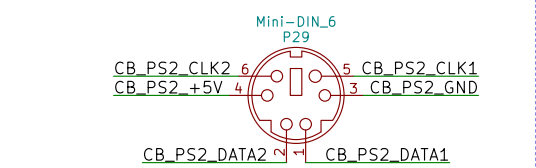
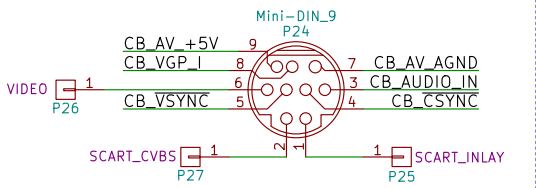
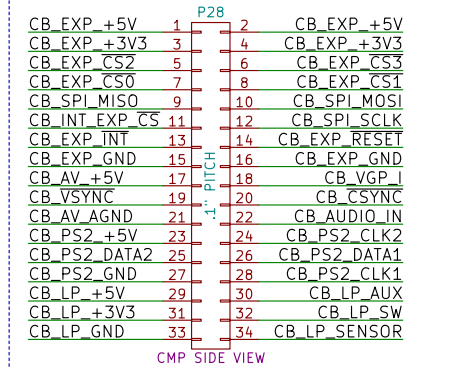
All rights reserved.
<https://mieboc.codeberg.page> <mieboc@proton.me>
 Sheet: /Motherboard_connector,MCU_interface,Memory,Voltage_translation/
 File: Motherboard_connector,MCU_interface,Memory,Voltage_translation.sch

Title: M5

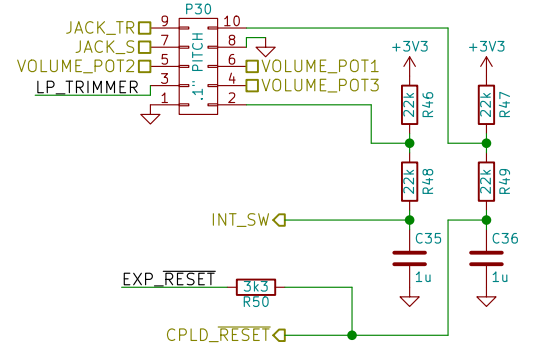
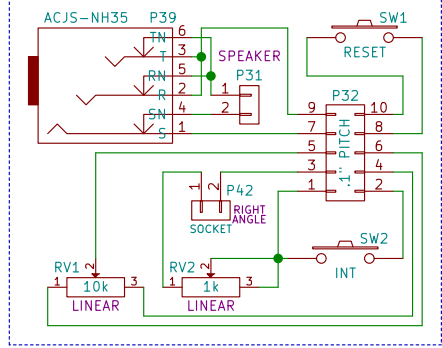
Size: A4	Date:	Rev: 1
KiCad E.D.A. kicad 0.201512080931+635338ubuntu14.04.1-stable		Id: 3/6



PERIPHERALS.CONNECTORS.BOARD



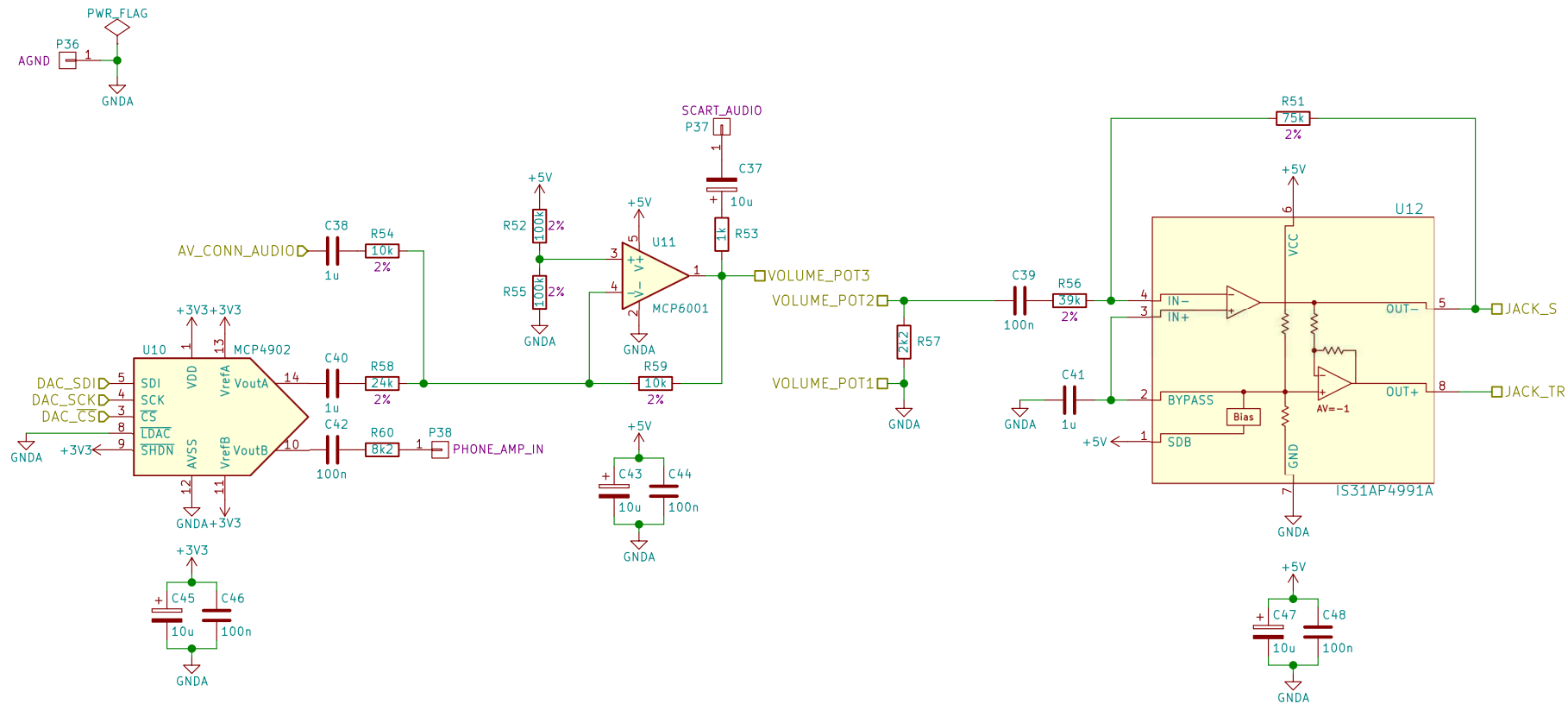
USER_CONTROLS_BOARD



All rights reserved.
<https://mieboc.codeberg.page> <mieboc@proton.me>
 Sheet: /Peripherals,Controls/
 File: Peripherals,Controls.sch

Title: M5

Size: A4	Date:	Rev: 1
KiCad E.D.A. kicad 0.201512080931+635338ubuntu14.04.1-stable		Id: 5/6



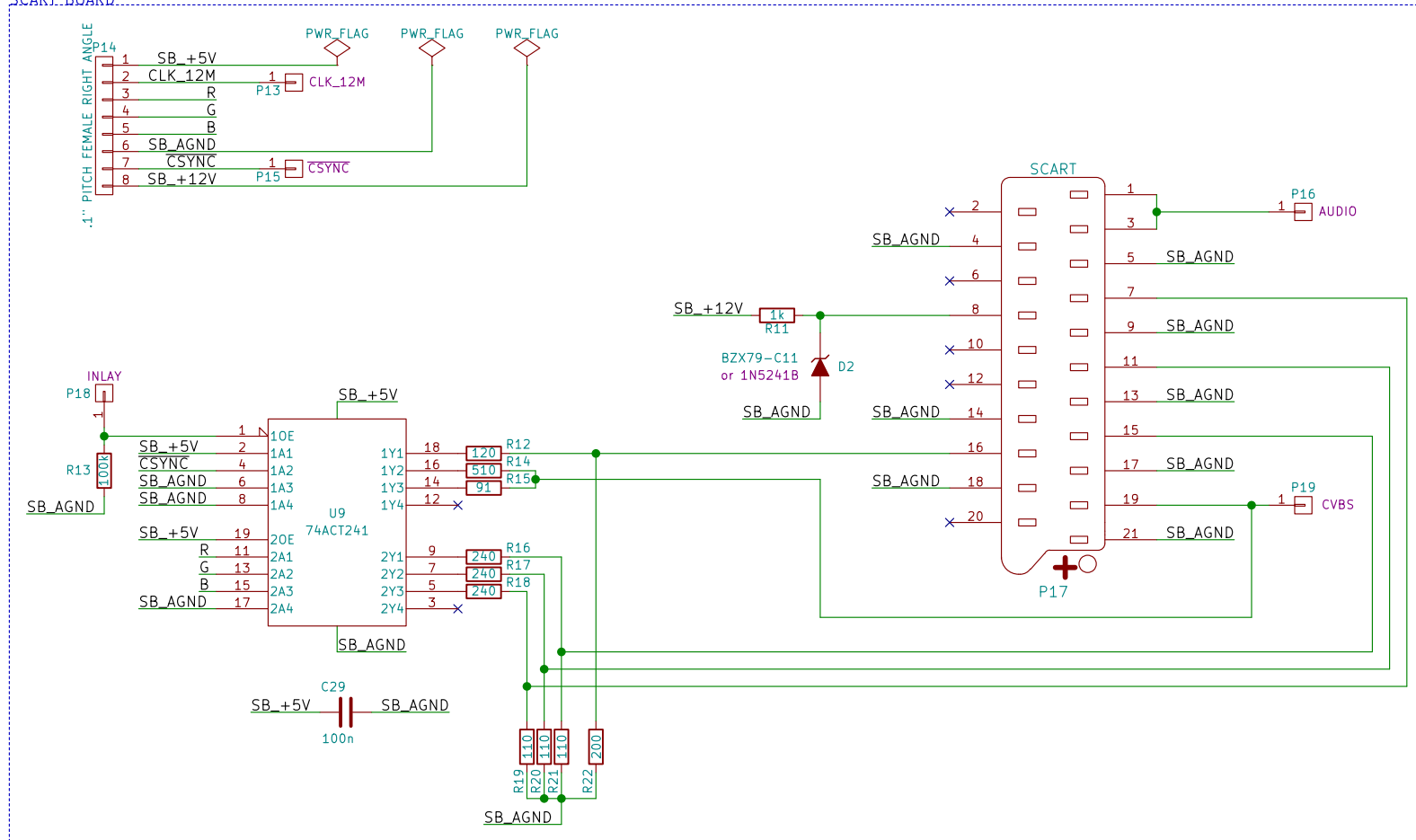
All rights reserved.
<https://mieboc.codeberg.page> <mieboc@proton.me>

Sheet: /Audio/
 File: Audio.sch

Title: M5

Size: A4	Date:	Rev: 1
KiCad E.D.A. kicad 0.201512080931+635338ubuntu14.04.1-stable		Id: 6/6

SCART_BOARD



All rights reserved.
<https://mieboc.codeberg.page> <mieboc@proton.me>

Sheet: /SCART/
 File: SCART.sch

Title: M5

Size: A4	Date:	Rev: 1
KiCad E.D.A. kicad 0.201512080931+635338ubuntu14.04.1-stable		Id: 4/6